

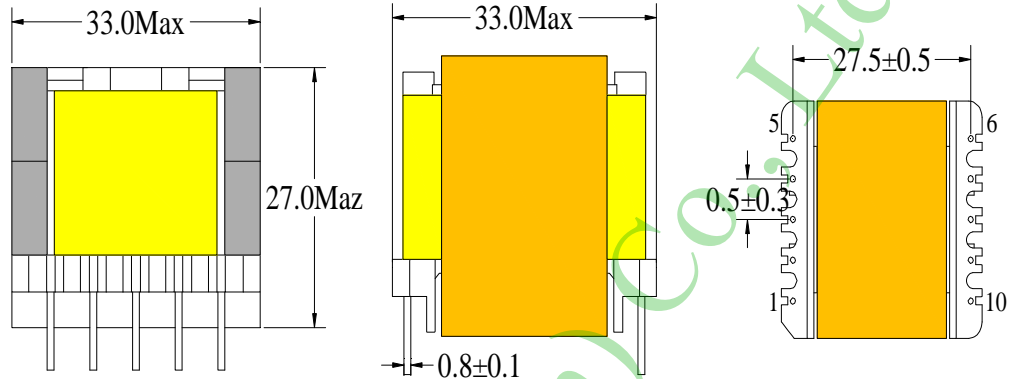


### High-frequency transformer

#### ER30 Series

#### Parameters/Dimensions:

##### ER30 Type 1



#### Information:

Shape:ER30

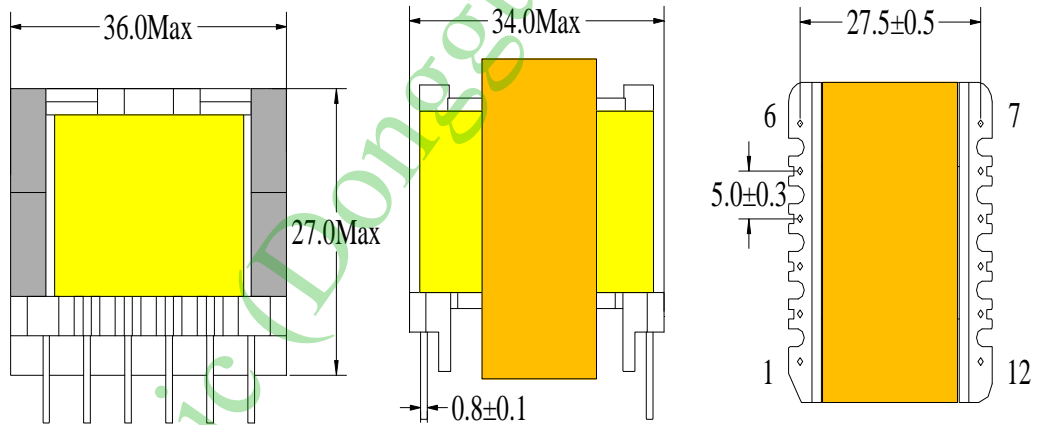
1 Power:100W

2 Mounting Orientation: Vertical

3 Size: 33 (W) \* 33(L) \* 27 (H)

4 Effective Ae (mm<sup>2</sup>):85.2~137.0

##### ER30 Type 2



#### Information:

Shape:ER30

1 Power:.00W

2 Mounting Orientation: Vertical

3 Size: 36 (W) \* 34(L) \* 27 (H)

4 Effective Ae (mm<sup>2</sup>):85.2~137.0

#### Note:

Bobbin type listed in the traditional style, transformer design parameters to customer needs or to inject prevail.

#### ER series high-frequency transformer features:

Coupled good location, in the column for the round, easy winding and winding area increases, can be designed to power large and small leakage inductance of the transformer.

#### Uses:

TV power supply, display, switching power supply, navigation, LED power supply